



Xpa Masonry Joint Reinforcement

DESCRIPTION

Xpa Masonry Joint Reinforcement is a factory fabricated welded wire assembly consisting of two longitudinal wires connected with cross wires forming a truss or a ladder configuration used in all types of brick and block wall construction.

MAIN USES

Xpa Masonry Joint Reinforcement is used to control cracking associated with thermal movement, shrinkage, vibration and settlement, and to increase the wall's resistance to horizontal bending and lateral loads. **Xpa Masonry Joint Reinforcement** significantly increases the strength of the masonry walls and the integrity of construction.

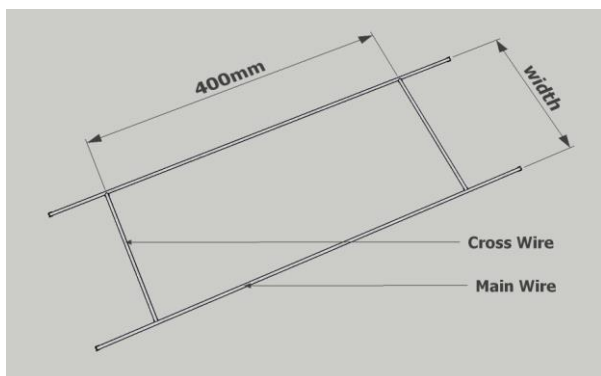
FEATURES & BENEFITS

- Reinforces masonry walls against loads and movement.
- Supplied in a range of types and sizes to suit design requirements.
- Simple and easy to install.
- Available in galvanized steel and stainless steel.
- Supplied with prefabricated corners and tees.

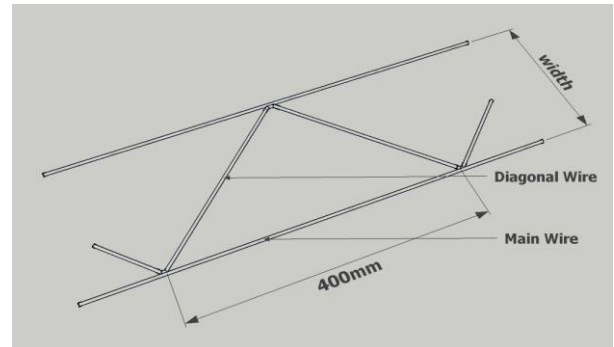
TYPES

Xpa Masonry Joint Reinforcement is supplied in the following types:

Ladder Type – consisting of longitudinal wires with perpendicular cross wires welded on.



Truss Type – consisting of longitudinal wires with diagonal and cross wires welded on.



MATERIALS & SIZES

Xpa Masonry Joint Reinforcement is fabricated using 4.0mm diameter longitudinal and cross/diagonal wire, available in hot dip galvanized steel and stainless steel grade 304.

For sizes refer to tables 1 and 2 on page 2. When ordering specify the product reference as shown on the tables.

INSTALLATION

Xpa Masonry Joint Reinforcement is embedded in mortar on every other course of masonry. Where splicing is needed, the minimum lap length shall be 150mm.

- Openings: Joint reinforcement shall be placed immediately below and above openings.
- Movement joints: Joint reinforcement must not span across movement joints.
- Junctions: Use prefabricated 'L' and 'T' sections at junctions.

SUPPLY FORM

Xpa Masonry Joint Reinforcement is supplied in 3M lengths. See tables 1 and 2 below for ordering details.

STORAGE

Xpa Masonry Joint Reinforcement should be stored above ground on palettes and protected from the elements with tarpaulin or polyethylene sheeting.

Reference	Material	Reinf. Width-mm	Wall Width-mm
L-G-050	Galv Steel	50	100
L-G-100	Galv Steel	100	150
L-G-150	Galv Steel	150	200
L-G-200	Galv Steel	200	250
L-S-050	Stainless Steel	50	100
L-S-100	Stainless Steel	100	150
L-S-150	Stainless Steel	150	200
L-S-200	Stainless Steel	200	250

Table 1 - Ladder Type Joint Reinforcement

Reference	Material	Reinf. Width-mm	Wall Width-mm
T-G-050	Galv Steel	50	100
T-G-100	Galv Steel	100	150
T-G-150	Galv Steel	150	200
T-G-200	Galv Steel	200	250
T-S-050	Stainless Steel	50	100
T-S-100	Stainless Steel	100	150
T-S-150	Stainless Steel	150	200
T-S-200	Stainless Steel	200	250

Table 2 - Truss Type Joint Reinforcement

HEALTH & SAFETY

There are no direct health and safety hazards associated with **Xpa Masonry Joint Reinforcement** under normal conditions. Use of protective gloves is recommended to avoid injury during handling and installation. Refer to the Safety Data Sheet for more details



All copyright, trademarks and unregistered design rights for the products detailed in this brochure are the property of Emirates Specialities Co. Product details may change without prior notice.

Emirates Specialities Co. L.L.C.

PO Box 6156, Sharjah,
 United Arab Emirates
 Tel: +971 6 542 0220
 Fax: +971 6 542 1211
 E-mail: sharjah@esco.ae