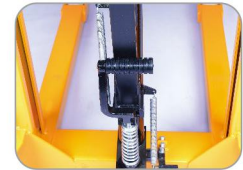




Model: SJJA20E

Forged Forks

- Compact design with strong steel construction.
- High quality steel mast ensures rigidity and durability.
- Adjustable forged forks.
- Screw release allows forks to descend.
- Foot operated lift for raising loads.
- With folded type foot pedal.
- Metal grid protects user from lift chains.
- With safety wheel guard and brake system to ensure safety during operation.



Folded Foot Pedal

Model: SJJA20E-III

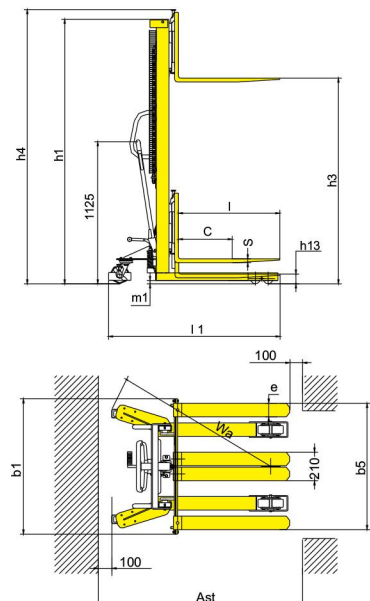
Overall forks



SJJA20E series with fixed legs adjustable forks

1KG=2.205LB 1INCH=25.40MM

Model		SJJA20E	SJJA20E-III
Load capacity/rated load	Q(kg)	2000	2000
Load centre distance	c(mm)	400	400
Fork height, lowered	h_{10} (mm)	90	90
Height, mast lowered	h_1 (mm)	2085	2085
Max. lift height	h_2(mm)	1500	1500
Height, mast extended	h_3 (mm)	2085	2085
Overall length	l_1 (mm)	1410	1516
Overall width	b_1 (mm)	1000	830
Fork dimensions	s/e/l(mm)	30/120/900	60/166/900
Width overall forks	b_2 (mm)	250~950	350-710
Round clearance, laden,below mast	m_1 (mm)	25	20
Aisle width for pallets 1000x1200 crossways	A_{10} (mm)	2050	2166
Aisle width for pallets 800x1200 lengthways	A_{11} (mm)	2040	-
Turning radius	W_1 (mm)	1250	1250
Lift speed,laden/unladen	mm/time	18/20	18/20
Lowering speed,laden/unladen	mm/s	Manual control	Manual control
Service weight	kg	292	260



Electric Pallet Truck

Electric Stackers

Order Picker

Narrow Aisle Truck

Electric Tow Tractor

Hand Pallet Truck

Manual Stacker

Lift Table