

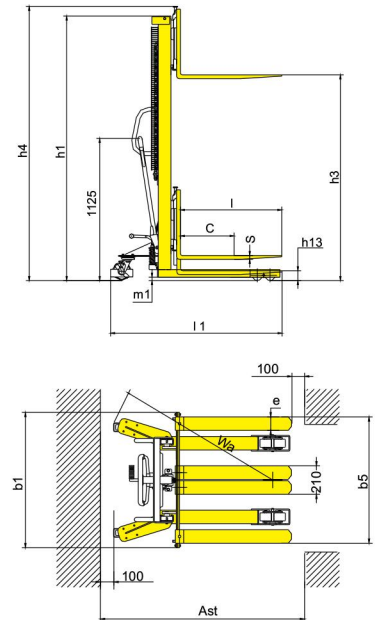
# Manual Stacker with Adjustable Forks

## Model: SDJA500 SDJA1000 SDJA1500

Forged Forks



- With adjustable forks between 200-950mm.
- Lifting Height from 1600mm to 2500mm.
- High quality steel mast ensures rigidity and durability.
- Adjustable forged forks.
- High efficient pumps makes the control easier to operate.
- Foot and hand controlled lifting function allows the operator to work without having to perform extreme body movements.
- Metal grid protects user from lift chains.
- With safety wheel guard and brake system to ensure safety during operation.



### SDJA series with fixed legs adjustable forged forks

1KG=2.205LB 1INCH=25.40MM

Model		SDJA500	SDJA1000	SDJA1500
<b>Load capacity/rated load</b>	<b>Q(kg)</b>	<b>500</b>	<b>1000</b>	<b>1500</b>
Load centre distance	c(mm)	500	500	500
Fork height, lowered	$h_{s3}$ (mm)	90	90	90
Height, mast lowered	$h_1$ (mm)	2000	2085/1840	2090
<b>Max. lift height</b>	<b><math>h_2</math>(mm)</b>	<b>1600</b>	<b>1600/2500</b>	<b>1600</b>
Height, mast extended	$h_2$ (mm)	2010	2165/2925	2150
Overall length	$l_1$ (mm)	1380/1640	1380/1640	1380/1640
Overall width	$b_1$ (mm)	805	1000/750	1000
Fork dimensions	s/e/l(mm)	48/100/800(1060)	30/100/800(1060)	30/100/800(1060)
Width overall forks	$b_5$ (mm)	200~745	200~950/700	200~950
Ground clearance, laden, below mast	$m_1$ (mm)	20	25	25
Aisle width for pallets 1000x1200 crossways	$A_{st}$ (mm)	1915	1915	1915
Aisle width for pallets 800x1200 lengthways	$A_{st}$ (mm)	1910	-	-
Turning radius	$W_t$ (mm)	1235	1235	1235
Lift speed, laden/unladen	mm/time	25	25	21
Lowering speed, laden/unladen	mm/s	Manual control	Manual control	Manual control
Service weight	kg	161	250/316	280