

# Hand Pallet Truck



**Emirates Specialities Co.L.L.C**  
 P.O.Box: 3880, Dubai, United Arab Emirates  
 Tel: 04-3470767, Fax: 04-3470765  
 Web: www.esco.ae, Email: dubai@esco.ae



## Model: BF

1KG=2.205LB 1INCH=25.40MM

Model	BF	
Capacity	Q(kg)	2500
Lowered fork height	h <sub>0</sub> (mm)	85
Steering wheel	mm	φ200
Fork wheel single	mm	φ80x93
Fork wheel tandem	mm	φ80x70
Max. lift height	h <sub>1</sub> (mm)	200
Total height	h <sub>2</sub> (mm)	1224
Overall length	L <sub>1</sub> (mm)	1533
Fork length	l (mm)	1150
Width overall forks	b <sub>1</sub> (mm)	550
Ground clearance, centre of wheelbase	m <sub>1</sub> (mm)	40
Aisle width for pallets 1000x1200 crossways	A <sub>1</sub> (mm)	1733
Aisle width for pallets 800x1200 lengthways	A <sub>2</sub> (mm)	1783
Turning radius	W <sub>1</sub> (mm)	1266
Pump Warranty	Years	3

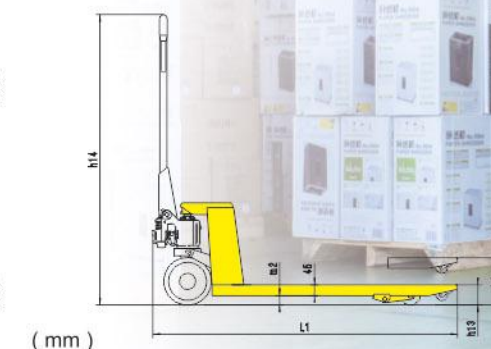
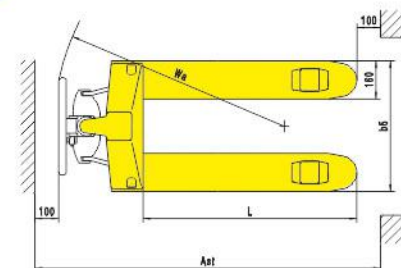
Fork wheel : Double Polyurethane  
 Steering wheel : Polyurethane

Over  
**5,000,000**  
 units sold

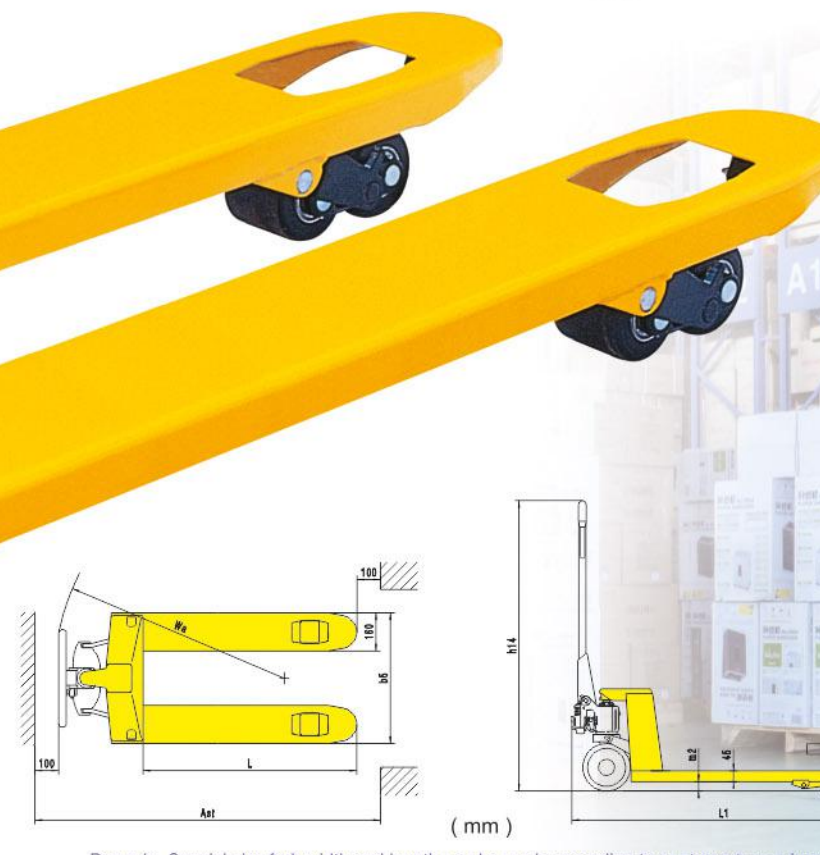


Conforms to EN ISO3691-5:2014  
 Based on Directive 2006/42/EC

*Professional*



Remark: Special size fork width and length can be made according to customer's requirement.



### Innovative design, comprehensive testing and highest quality !

- Most standard and popular model with capacity 2500 - 3000kgs.
- With Copping Supporting NOG & strengthening ribbing under top triangle cover.
- Complete pump design with reliable leak-proof pump eliminating maintenance and extending the service time.
- 210 steering arc, and small turning radius.
- Fork Lowering speed is controllable, operated by hand control and foot pedal.
- Entry / exit roller, more freely travel.
- Equipped with over-load valve, with long service time.
- 3 position hand control - Raise, Lower, Neutral.
- 12 lubrication grease nipples on all movable parts for easy maintenance.
- Adjustable pump cap ensures a long service life.
- Ergonomic large rubber handle with three control lever.



Option: fully rubber wrapped handle



Adjustable pump cap



Adjustable straight tappet





## Model: **WA** 3000KG

1KG=2.205LB 1INCH=25.40MM

Model	WA	
Capacity	Q(kg)	3000
Lowered fork height	$h_{10}$ (mm)	85
Steering wheel	mm	$\phi$ 200
Fork wheel single	mm	$\phi$ 80x93
Fork wheel tandem	mm	$\phi$ 80x70
Max. lift height	$h_2$ (mm)	200
Total height	$h_{12}$ (mm)	1232
Overall length	$l_1$ (mm)	1533
Fork length	$l$ (mm)	1150
Width overall forks	$b_2$ (mm)	550
Ground clearance, centre of wheelbase	$m_2$ (mm)	32
Aisle width for pallets 1000x1200 crossways	$A_{10}$ (mm)	1733
Aisle width for pallets 800x1200 lengthways	$A_{11}$ (mm)	1783
Turning radius	$W_1$ (mm)	1265
Pump Warranty	Year	1

Fork wheel : Double Polyurethane  
 Steering wheel : Polyurethane

*Excellent*



Conforms to EN ISO3691-5:2014  
 Based on Directive 2006/42/EC



### Excellent type pallet truck

- Standard single speed pump and light service weight, but big load capacity 3000kgs.
- Design on the base of 3 years service time, which can be extended up to 5 years.
- Compact appearance, complete rocker arms, ensure the whole truck averaged pressed.
- Full sealed pump, easy to maintain.
- Simplified spare parts, higher performance with low repair cost.

